

WISCONSIN

**37.0 HP GASOLINE
DUAL FUEL, LPG &
NG OPTIONS**

VG4D

YOUR HEAVY-DUTY SOURCE OF POWER

Setting industry Standards since 1909, Wisconsin continues to offer you a wide selection of air-cooled gasoline engines. Five models allow you to choose from twin-cylinder and four-cylinder engines with power ranging from 18.0 to 65.9 HP.

WISCONSIN CONSTRUCTION

Wisconsin Engines are designed for those tough applications that require durability and long life reliability. The multi-cylinder, v-block design offers unique side load capability for a wide variety of industrial applications.



STANDARD FEATURES

- 4-Cylinder
- Air-Cooled
- V-Block Configuration
- Forged-Steel Crankshaft with Tapered Roller Main Bearings
- Heavy-Duty Cast-Iron Block
- Forged-Steel Connecting Rods
- Cast Iron Cylinders
- Centrifugal Flyweight Governor
- Full-Flow Oil Filter
- Aluminum Alloy Pistons
- Electric Starter with 30 amp Flywheel Alternator
- Heat Resistant Alloy Steel Exhaust Valves
- Instrument Panel
- Replaceable Valve Seat Inserts
- Solid State Ignition
- Exhaust Valve Rotators

WORLDWIDE PARTS & SERVICE

We back our engines with a worldwide service network. Experienced Wisconsin representatives are always ready to meet your needs.

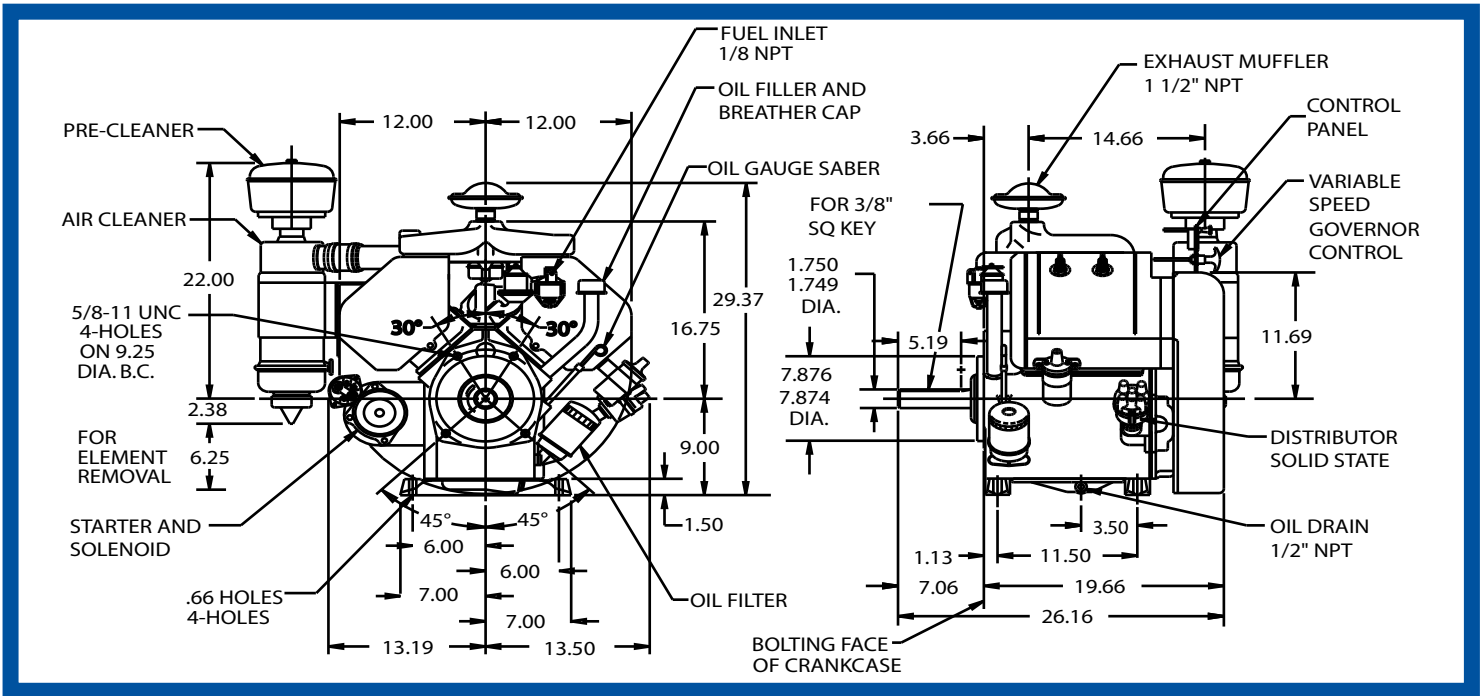


WISCONSIN MOTORS, LLC

WISCONSIN

37.0 HP GASOLINE DUAL FUEL, LPG & NG OPTIONS

VG4D



* Net Weight Dry Standard Engine 410 lbs. (186.4 kg)

Bore 3.50 in. (88.9 mm)
Stroke 4.0 in. (101.4 mm)
Displacement 154 cu. in. (2524 cc)

RPM	HP	KW	TORQUE	
			Ft. lbs	Kg-m
1400	25	18.7	93.8	13.0
1600	29	21.7	95.2	13.2
1800	32	23.9	93.4	12.9
2000	34	25.3	89.2	12.3
2200	36	26.9	85.9	11.9
2400	37	26.9	81.0	11.2

POWER OUTPUT

Maximum dynamometer net brake horsepower of the basic engine corrected to a pressure reading of 29.31 in. Hg (99 KPA) dry barometer and temperature of 77° F (25° C) when tested in accordance with SAE Test Code J1349. Engine output can be demonstrated within 5% at the factory under standard rating conditions. Power will decrease 3.5% for each 1000 ft. (305 M) above 500 ft. and 1% for each 10° F above standard temperature of 77° F (25° C). For continuous operation, applications should be limited to 80% of power shown.

OPTIONS FOR EVERY NEED

- Dry Element and Tri-Phase Air Cleaners
- Bell Housings (SAE #4&5)
- Clutch Take-Off
- Clutch Reduction Assemblies (In Ratios of 2,3, or 4 to 1 with Clockwise or Counter-Clockwise Take-Off Shaft Rotation)
- Heavy-Duty Mufflers
- High-Temperature & Low Oil Safety Switches
- Accessory Drive for Hydraulic Pump
- Special Crankshaft Extensions & Stub Shafts
- 37 amp Belt-Driven Alternator

* Contact your Wisconsin Representative for Additional Options



WISCONSIN MOTORS, LLC

SALES OFFICE:

2020 Fletcher Creek Dr. • Memphis, TN, 38133
 Phone (901) 371-0353 • Toll Free 800-932-2858

www.wisconsinmotors.com